

A1 INSTALLATION DRAWING

IF THIS DOCUMENT IS PRINTED IN HARDCOPY, IT IS FOR INFORMATION USE ONLY AND THEREFORE IS NOT SUBJECT TO UPDATING CONTROLS. ALWAYS REFER TO SOLIDWORKS VIEWER FOR LATEST ISSUE



THIS DRAWING IS CONFIDENTIAL AND IS SUPPLIED ON THE EXPRESS CONDITION THAT IT SHALL NOT BE LOANED OR COPIED OR DISCLOSED TO ANY OTHER PERSON OR USED FOR ANY OTHER PURPOSE WITHOUT THE WRITTEN CONSENT OF AP RACING LTD.



AP Racing
Wheler Road
Coventry
CV3 4LB

Tel: +44 (0) 24 7663 9595
Fax: +44 (0) 24 7663 9559
e-mail: engineering@apracings.com
Web site: <http://www.apracing.com>

© AP Racing Ltd. 2005

GENERAL DESCRIPTION
THIS IS A 4 PISTON DIFFERENTIAL BORE CALIPER, DESIGNED TO OPERATE ON A VENTILATED DISC Ø280.0 (11.0") x 25.4 (1.0") THICK. STAINLESS STEEL BRIDGE PIPES AND PAD ABUTMENT WEAR PLATES ARE FITTED AS STANDARD. CONVENTIONAL TYPE PISTON SEALS ARE FITTED IN THE BORES.

GENERAL APPLICATION
SINGLE SEATER FRONT/REAR

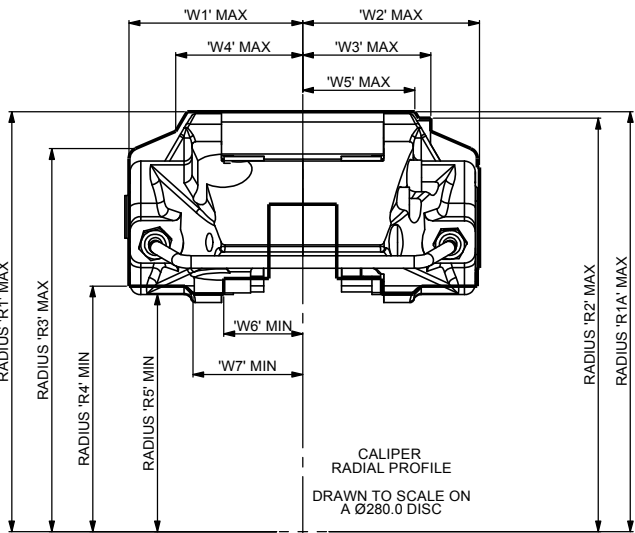
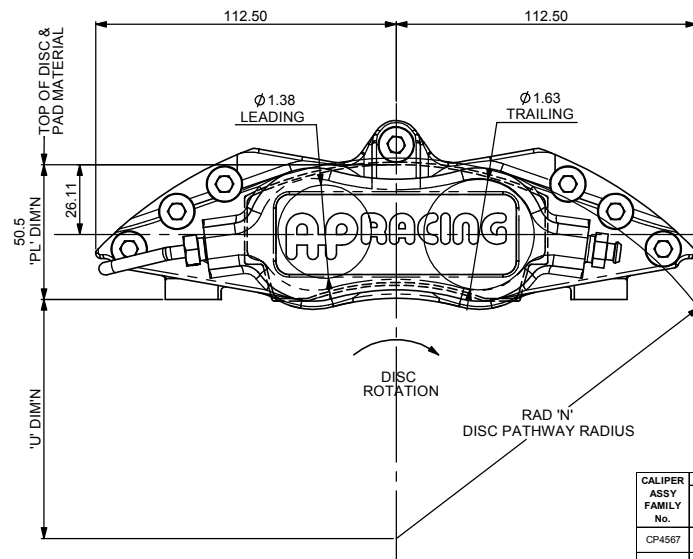
TECHNICAL & INSTALLATION INFORMATION
PISTON DIAMETER - 35.05 (1.375") LEADING
- 41.40 (1.625") TRAILING
TOTAL PISTON AREA - 46.23CM²

BODY MATERIAL ALUMINIUM ALLOY
ALL HYDRAULIC THREADS M10 x 1.0
PISTON MATERIAL ALUMINIUM ALLOY (STANDARD)

KEY TO DIMENSIONS
DIMENSION 'PL' - TOP OF PAD MATERIAL TO MOUNTING HOLE BOSS FACE WITH PAD SITTING DOWN ON LEDGE.
DIMENSION 'U' - WHEEL CENTRE LINE TO CALIPER MOUNTING BOSS FACE (DISCØ/2)

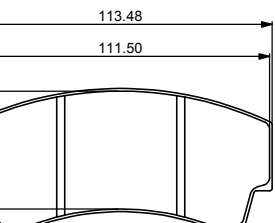
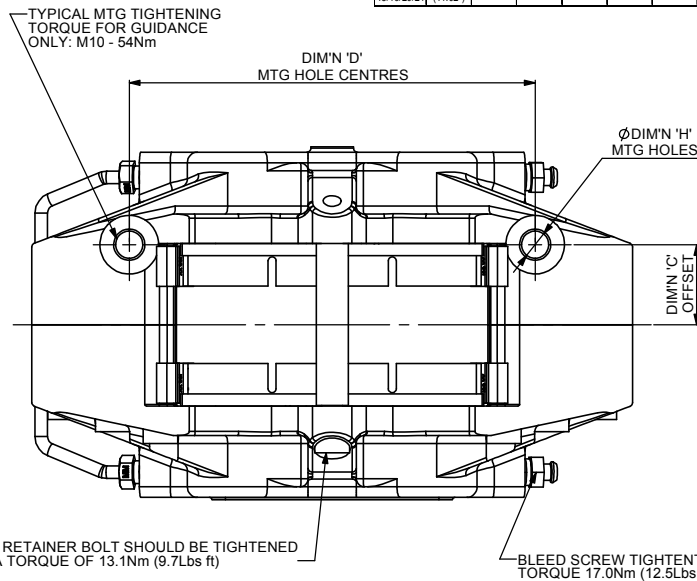
EXAMPLE CALIPER PART NUMBERS
CP4567-2S4 - RIGHT HAND TRAILING (BEHIND AXLE)
CP4567-3S4 - LEFT HAND TRAILING (BEHIND AXLE)
CP4567-4S4 - RIGHT HAND LEADING (IN FRONT OF AXLE)
CP4567-5S4 - LEFT HAND LEADING (IN FRONT OF AXLE)

SEE SHEET 2 FOR SPARE PARTS LIST



CALIPER ASSY FAMILY No.	STROKE No.			DISC Ø	DISC WIDTH DIM'N 'E'	DIM'N 'C'	DIM'N 'H'	DIM'N 'D'	DIM'N 'PL'	RAD 'N'	REMARKS & APPLICATIONS
	RWT	LRT	RHL								
CP4567	2	3	4	280.00	25.40	30.00	10.25	152.05	50.50	142.50	
			5				10.15	151.95			
CP4567	8	9	10	280.00	20.00	27.30	10.25	152.05	50.50	142.50	
			11				10.15	151.95			
CP4567	12	13	14	280.00	22.00	28.30	10.25	152.05	50.50	142.50	USE D51 PAD
			15				10.15	151.95			
CP4567	18	19	20	280.00	11.50	22.85	10.25	152.05	50.50	142.50	
			21				10.15	151.95			

RADIAL PROFILE CHART														
DISC Ø	EFF RAD	RAD 1	RAD 1A	RAD 2	RAD 3	RAD 4	RAD 5	W1	W2	W3	W4	W5	W6	W7
CP4567-2/3/4/5 Ø280.00 (11.02")	117.85	157.34	157.34	154.90	143.50	92.00	89.00	65.00	66.20	48.00	47.50	42.00	29.50	41.50
CP4567-8/9/10/11 Ø280.00 (11.02")	117.85	157.34	157.34	154.90	143.50	92.00	89.00	62.30	63.50	45.30	44.80	39.30	26.80	38.80
CP4567-12/13/14/15 Ø280.00 (11.02")	117.85	157.34	155.50	154.90	143.50	92.00	89.00	63.30	64.50	46.30	45.80	40.30	27.80	39.80
CP4567-18/19/20/21 Ø280.00 (11.02")	117.85	157.34	155.50	154.90	143.50	92.00	89.00	58.00	58.80	42.00	40.50	35.00	23.20	35.00



CP3345 FAMILY IRON PAD
PAD AREA: 43.39CM²
PAD THICKNESS: 15.90MM

Issue No.	Alterations			Zone	Initials
	Date & No.	Particulars			
7	01/04/08 B5153	REDRAWN ON SW PREVIOUSLY ON MEDUSA			SAT

SCALE 1:1	SHEET 1 OF 2
DRAWN	Steve Thomas
APPROVED	
DERIVED FROM	
TITLE	
DIA 1.375" / 1.625" 4 POT CALIPER INSTALLATION	
DRG NO.	CP4567-1CD

